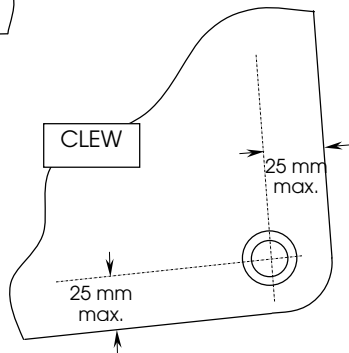
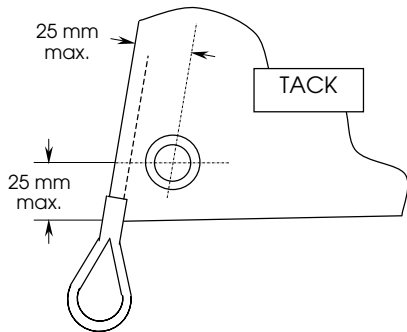
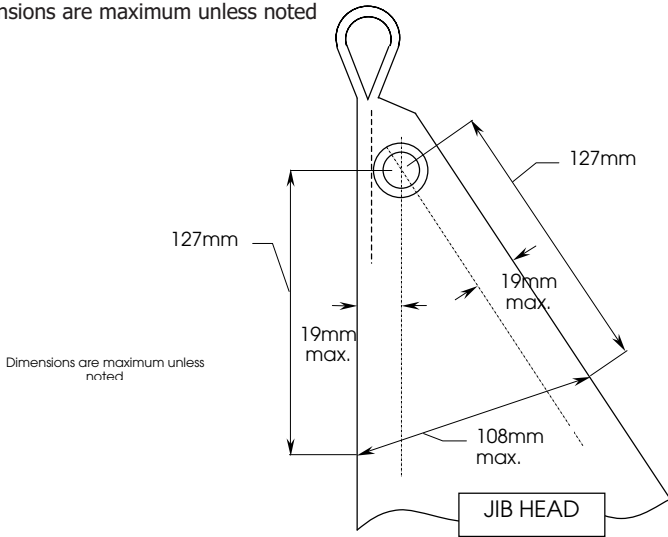


Snipe Sails

Additional Limiting Dimensions

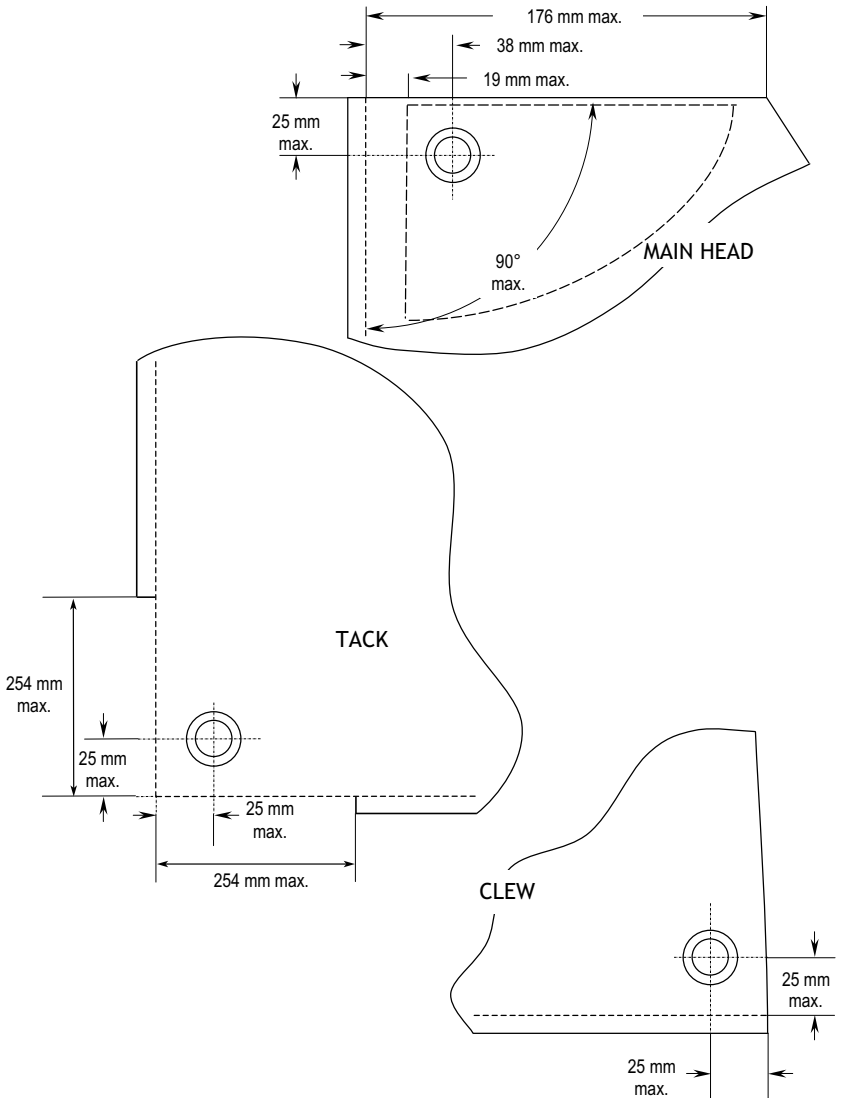
Dimensions are maximum unless noted



Snipe Sails

Additional Limiting Dimensions

Dimensions are maximum unless noted



Snipe Sails

Additional Limiting Dimensions

